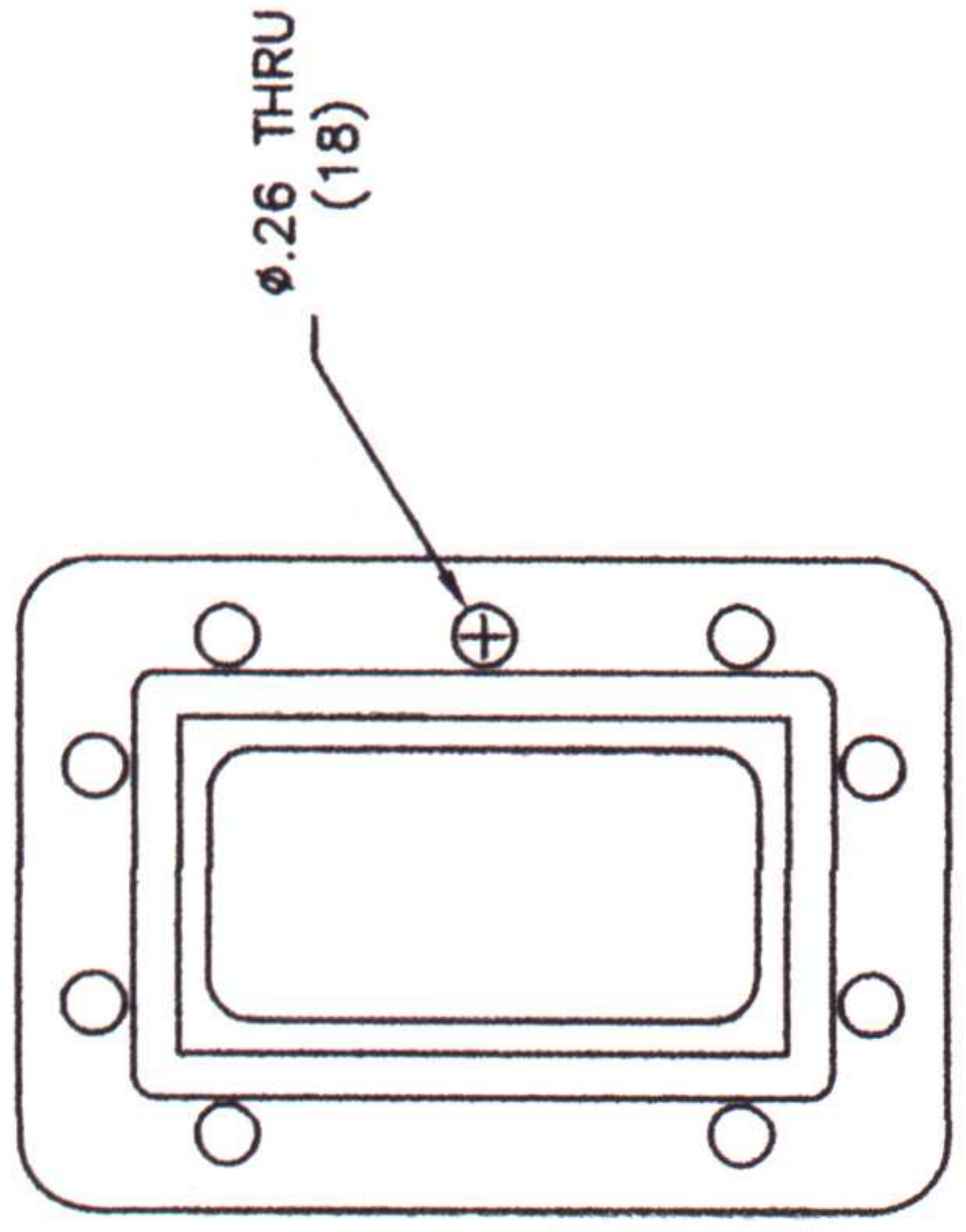
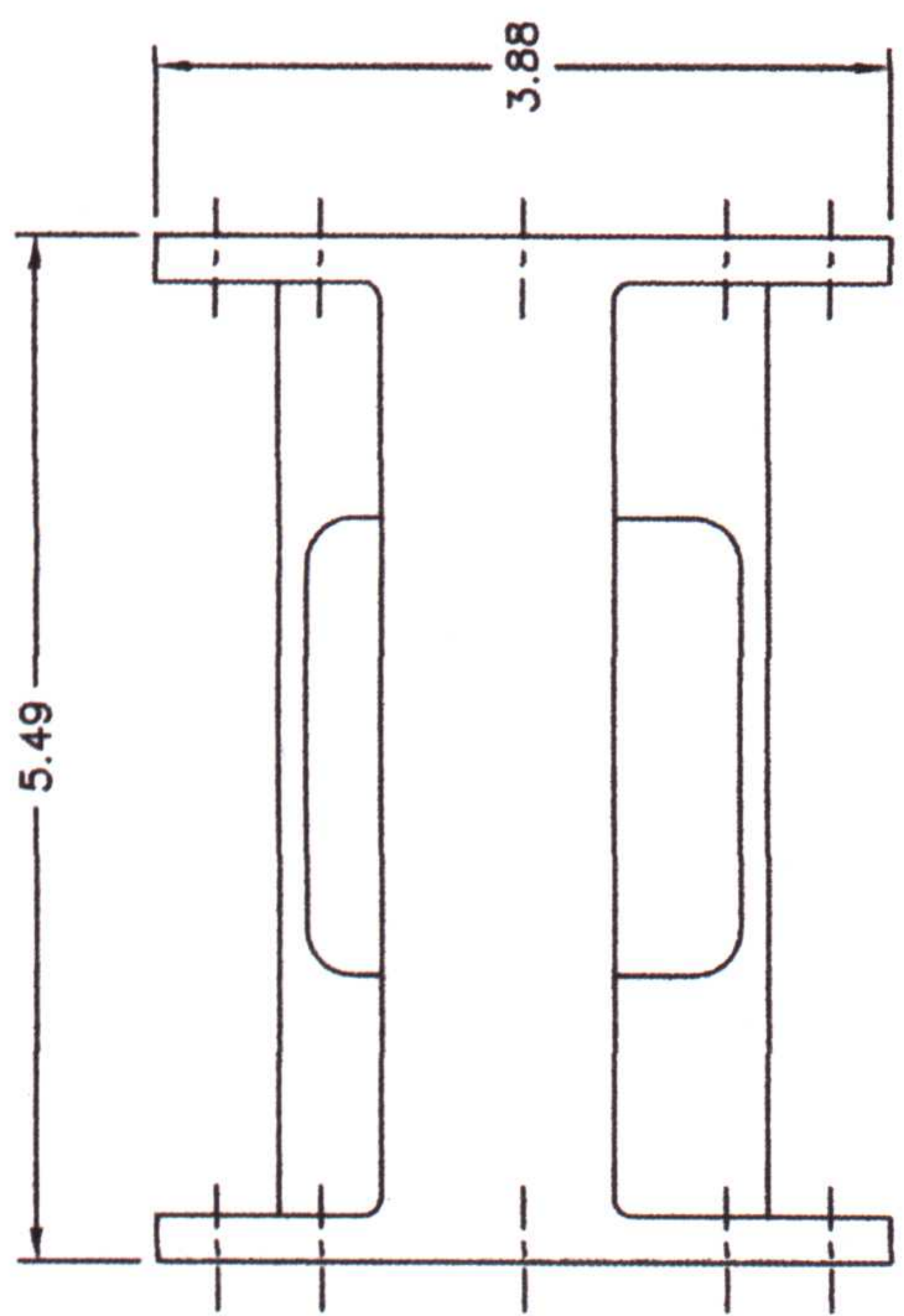


REVISION		
LTR	ECN	DATE
APPR'D		

THIS DRAWING IS A SOURCE CONTROL DRAWING AND IS PROPRIETARY TO MICROWAVE FILTER CO., INC. AND MAY NOT BE DUPLICATED OR DISTRIBUTED WITHOUT WRITTEN PERMISSION OF MICROWAVE FILTER CO., INC. THIS DRAWING ALSO DESCRIBES TRADE SECRETS AND IS THE EXCLUSIVE PROPERTY OF MICROWAVE FILTER CO., INC



SPECIFICATIONS

PASSBAND: 3.625 TO 4.2 GHz
 INSERTION LOSS: 0.4 dB APPROX. @ F_0
 0.3 dB APPROX. ROLL OFF @ BAND EDGES
 VSWR: 1.5:1 TYP
 GROUP DELAY VARIATION: 8 nS MAX

REJECTION	FREQUENCY
45 dB MIN	3.575, 4.275 GHz
55 dB TYP	3.475, 4.375 GHz
70 dB TYP	3.425, 4.425 GHz

FLANGES: CPR229G (INPUT)
 CPR229F (OUTPUT)
 WEIGHT: HALF GASKET SUPPLIED WITH EACH UNIT
 1.125 lbs APPROX.



Distribuidor no Brasil:
 Images Eletrônica Ltda - ME
 CNPJ: 61.835.161/0001-90
 www.images.com.br

UNLESS SPECIFIED
 ALL TOLERANCES $\pm.060$

ENVELOPE DRAWING

MFC MICROWAVE FILTER CO. INC. 6743 CORNH. ST. E. STURBOUR, VT. 05677	FSCM27834
DATE 5/9/13	TITLE
DWN BY MW	BANDPASS FILTER
ENGINEER	DRAWING NO.
P.M.	13961WE-3625/4200
	REV
	-