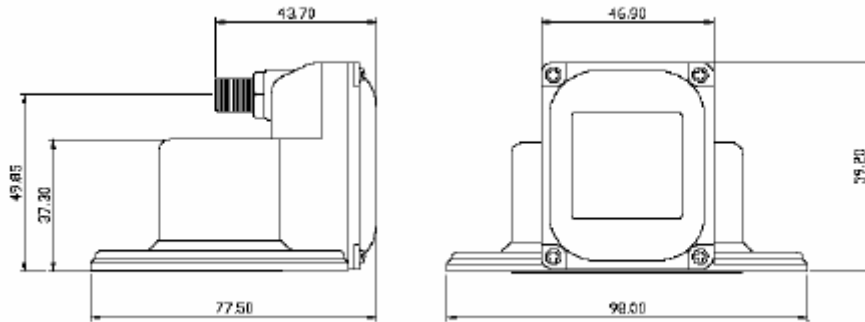


C BAND PROFESSIONAL LNB EXTENDED

Model:	C-17E
Input:	3.4 – 4.2 GHz
Output:	950 – 1750 MHz
Noise Temperature:	17° K
Gain:	65 dB Typical
Local Oscillator:	5150 MHz
Local Oscillator Stability:	+/- 500 KHz
D.C. Supply:	12 – 20 VDC
D.C. Current:	150 mA (Max)
Input Waveguide Flange:	CPR 229G
Output Connector:	Type "F" (female) – 75 ohms
Operating Temperature:	- 30 ~ 60° C
Weight:	200 g

Mechanical Specs:



Unit: mm



